

Product data sheet

Characteristics

MJL36450

Circuit Breaker, PowerPact M, unit mount, electronic trip, 450A, 3 pole, 25 kA, 600 VAC, lugs both ends



Price*: 9456.00 USD



Main

Product or component type	Circuit breaker
---------------------------	-----------------

Complementary

Line Rated Current	450 A
Poles description	3P
Breaking capacity code	J
Magnetic tripping current	900...4500 A
Electrical connection	Lugs load Lugs line
Terminal identifier	AL800M23K
Tightening torque	442.54 Lbf.In (50 N.m) 0.15...0.37 in ² (95...240 mm ²) (AWG 3/0...500 kcmil)
Height	12.86 In (326.6 mm)
Width	0.32 In (8.06 mm)
Depth	8.27 In (210 mm)
Continuous current rating	80 %

Ordering and shipping details

Category	01205-MG, MJ UNIT MOUNT BREAKER
Discount Schedule	DE2
GTIN	00785901879954
Nbr. of units in pkg.	1
Package weight(Lbs)	29.00 Lb(US) (13.154 kg)
Returnability	Yes
Country of origin	US

Packing Units

Unit Type of Package 1	PCE
Package 1 Height	12.86 In (32.66 cm)
Package 1 width	8.06 In (20.46 cm)
Package 1 Length	8.27 In (21 cm)

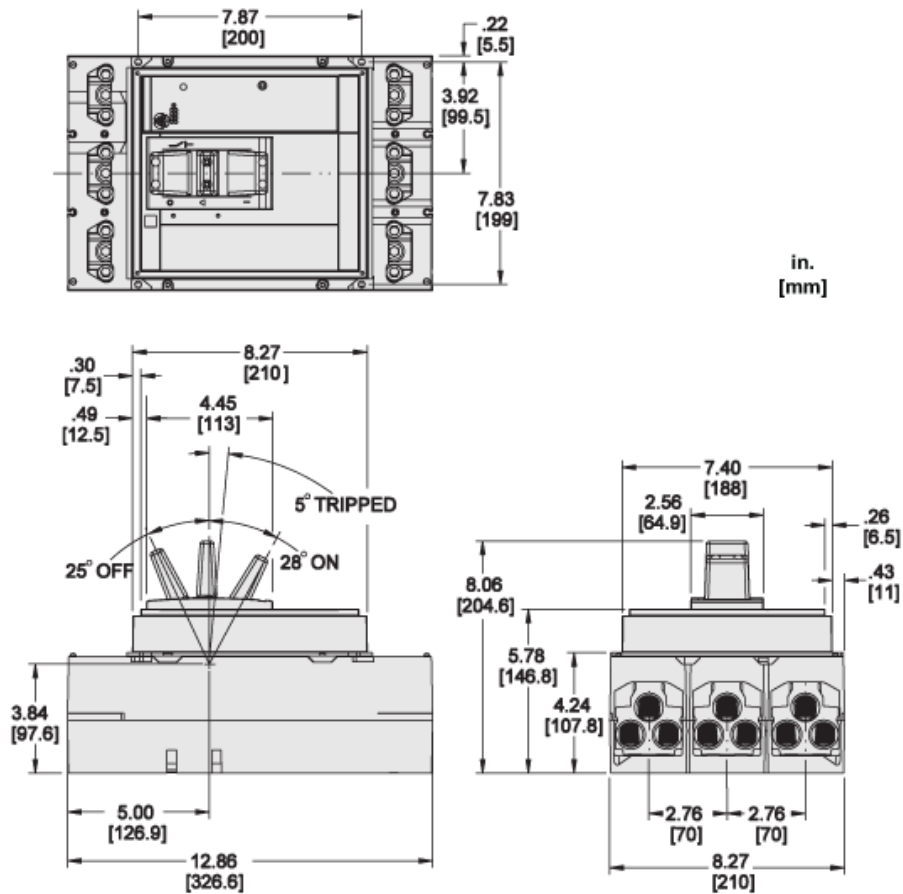
Offer Sustainability

Sustainable offer status	Green Premium product
California proposition 65	WARNING: This product can expose you to chemicals including: DIN-P, which is known to the State of California to cause cancer, and DID-P, which is known to the State of California to cause birth defects or other reproductive harm. For more information go to www.P65Warnings.ca.gov
REACH Regulation	REACH Declaration
EU RoHS Directive	Compliant EU RoHS Declaration
Mercury free	Yes
RoHS exemption information	Yes
China RoHS Regulation	China RoHS Declaration
Environmental Disclosure	Product Environmental Profile
Circularity Profile	End Of Life Information
PVC free	Yes

Contractual warranty

Warranty	18 months
----------	-----------

Approximate Dimensions



in.
[mm]

Product Life Status : **End of commerc. announced**

MJL36450 may be replaced by any of the following products:



MJL36800E10

Circuit breaker, PowerPact M, adj trip, unit mount, 300A-800A, 3 pole, 25 kA, 600 V, lugs

Qty 1

Substitution date: |